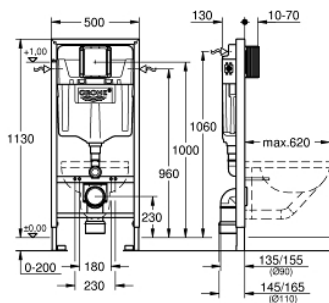


38 528 001 Rapid SL Element for WC, 1.13 m installation height

https://www.grohe-mena.com/en_cy/rapid-sl-element-for-wc-1-13-m-installation-height-38528001.html



- with flushing cistern GD 2, 6 - 9 l
- for on-the-wall installations or studded walls
- powder coated steel frame, self-supporting
- for dry-cladding, completely pre-assembled
- with fixed connections
- quick adjustment, lockable
- fixing material
- TÜV approved
- 2 WC fixing bolts
- fixing device for ceramic
- WC ceramics with small bearing area (< 205 mm) require additional accessory 38 779 000
- distance of fixing bolts 180/230 mm
- outlet bend Ø 90 mm
- depth adjustable
- reducer Ø 90/110 mm
- inlet and outlet connecting set
-
- **flushing cistern GD 2, 6 - 9 l, containing following features:**
 - adjustment ex factory 6 l and 3 l
 - pneumatic discharge valve offering 3 modes of operation: dual flush or start/stop or single flush
 - water supply from left/right or back
 - low noise (group I acc. to German Noise Specification)
 - insulated against condensation
 - ½" water supply connection including integrated angle valve and push fit flexible hose union
 - no tools required for the installation of the inspection shaft incl. protection during construction phase
 - for vertical or horizontal use
 -
 - for on-the-wall installation please order wall brackets 38 558 00M (sold separately)
 - for mounting of small flush plates please order revision shaft 40 911 000 (sold separately)